

BAKERS FORKLIFT SERVICES LTD T/A

BFS FORKS & ATTACHMENTS

TEL: 0121 557 1935 FAX: 0121 557 4245

E MAIL: SALES@BFSLTD.CO.UK

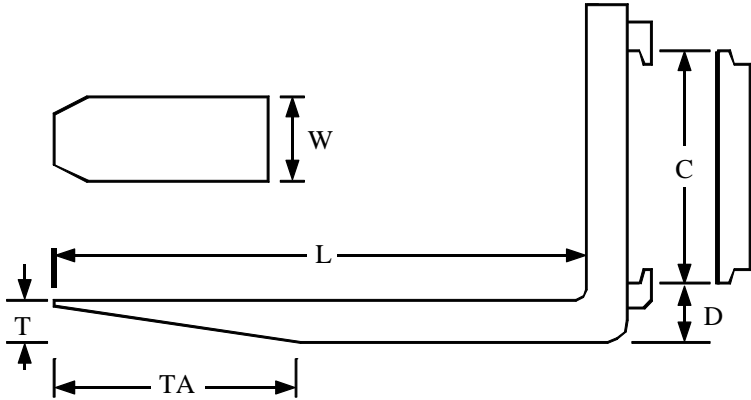
CONTACT NAME: TRUCK OR ATTMT MAKE:

COMPANY: MODEL:

TEL: CAPACITY:

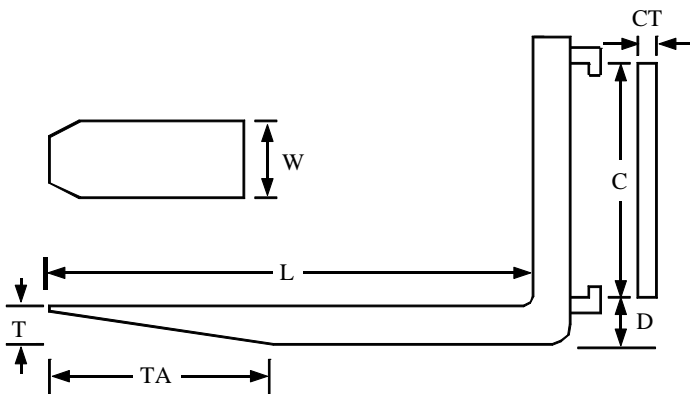
FAX: RATED LOAD CENTRE:

TAPERED HOOKS



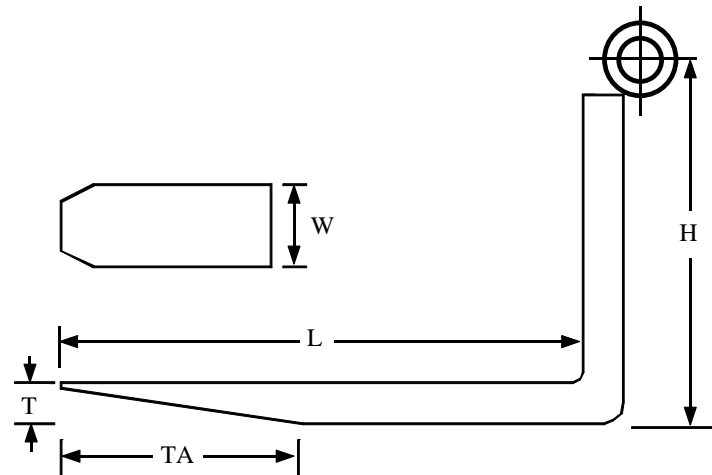
W		mm
L		mm
T		mm
C		mm
D		mm
TA If non standard		mm

SQUARE HOOKS



W		mm
L		mm
T		mm
C		mm
D		mm
TA If non standard		mm
CT		mm

BAR MOUNTED



W		mm
L		mm
T		mm
H		mm
TA If not standard		mm
Bar Diameter		mm

